

SINGER
9030/9034/9044(18524)

LIST OF PARTS

Sewing Machine Models

9030

9034

9044

From the library of: Diamond Needle Corp

by **SINGER** *



A Publication of Product Support
International Group Engineering

PartNo. 317161-064

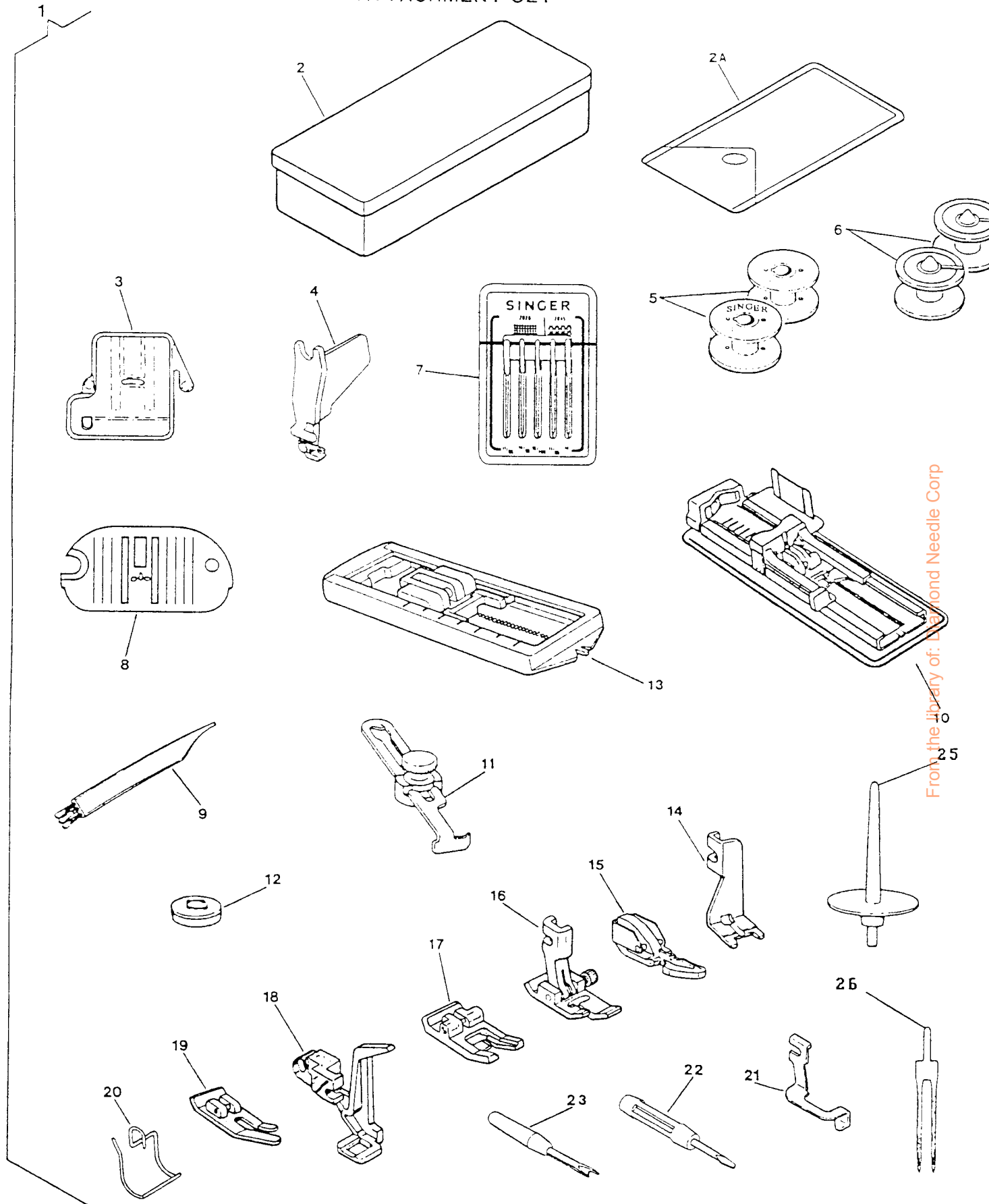
Printed in Taiwan

INDEX

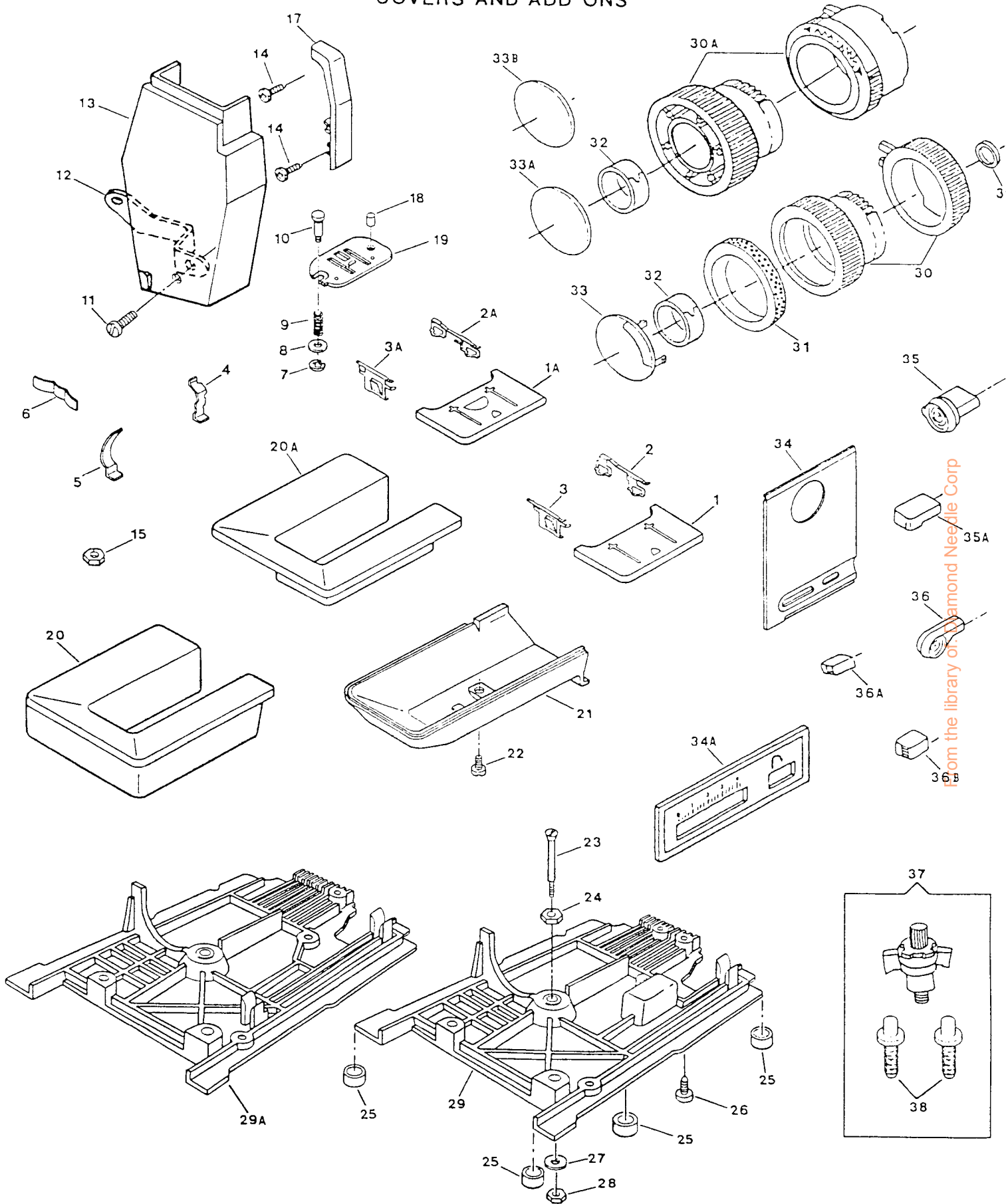
PAGE NO.	SUBASSEMBLY
1 , 2	ATTACHMENT SET
3 , 4	COVERS AND ADD ONS
5 , 8	ARM TOP COVER
9 , 10	ARM SHAFT DRIVE SYSTEM
11, 12	HAND WHEEL
13, 14	COAXIAL PRESSER BAR SYSTEM
15, 16	NEEDLE BAR & THREAD TAKE-UP
17, 18	ALPHA FEED
19, 20	HOOK SYSTEM (APOLLO)
21, 22	HOOK AND BOBBIN WINDING SYSTEM (CENTAUR)
23, 28	PATTERN, STITCH LENGTH CONTROL & CAM CONTROLLED FEED
29, 30	DEMAND RESPONSIVE NEEDLE TENSION SYTEM
31, 34	ELECTRICAL EQUIPMENT

ATTACHMENT SET
 MODEL: 9030 9034 9044 (N503)

REF. NO.	PART NO.	DESCRIPTION	9N	9N	9N
			05	05	05
			30	30	40
			03	43	43
1	313030-019	ATTACHMENT SET	X		X
1	313030-101	ATTACHMENT COMPLETE		X	
2A	317396	ACCESSARY BAG	X	X	X
2B	286624	ACCESSARY BAG		X	X
3	313117	FEED COVER PLATE	X	X	X
5	172336-001	BOBBIN (APOLLO)	X	X	X
7	353364	NEEDLE PACK	X	X	X
9	546358-453	LINT BRUSH	X	X	X
15	171480	PRESSER FOOT PLATE FOR CORDING AND SLIDE FASTENERS COMPLETE	X	X	X
17	171463	SPECIAL PURPOSE PRESSER FOOT PLATE	X	X	X
21	171110	BLINDSTITCH GUIDE	X	X	X
23	546357-453	SEAM RIPPER	X		



From the library of: Daymond Needle Corp



From the library of Diamond Needle Corp

COVERS AND ADD ONS
 MODEL: 9030 9033 9044 N503

REF. NO.	PART NO.	DESCRIPTION	9N	9N	9N
			05	05	05
			30	30	40
			03	43	43
1	314666	BED SLIDE ASSEMBLY COMPLETE (APOLLO)	X	X	X
2	314669	BED SLIDE SPRING (RIGHT)	X	X	X
3	314670	BED SLIDE SPRING (LEFT)	X	X	X
4	313178	BED SLIDE STOP	X	X	X
5	313179	BED SLIDE STOP SPRING	X	X	X
6	313118	CLOTH PLATE SPRING	X	X	X
7	313098	THROAT PLATE POUNGER RETAINING RING	X	X	X
8	549426-451	THROAT PLATE PUNGER WASHER	X	X	X
9	312805	THROAT PLATE PLUNGER SPRING	X	X	X
10	312804	THROAT PLATE PLUNGER	X	X	X
11	137250-451	FACE PLATE MOUNTING SCREW	X	X	X
12	317226	FACE PLATE MOUNTING BRACKET	X	X	X
13	314259-008	FACE PLATE COMPLETE (#3913)	X	X	X
14	113470-003	THREAD TAKE-UP COVER MOUNTING SCREW	X	X	X
15	313049	BED INSERT NUT	X	X	X
17	137915-001	THREAD TAKE-UP COVER COMPLETE (#310K)	X		
17	137915-009	THREAD TAKE-UP COVER COMPLETE (#310K)	X		
18	353624	THROAT PLATE LOCATING PIN	X	X	X
19	312777	THROAT PLATE FOR ZIG-ZAG SEWING	X	X	X
20	317361-452	CLOTH PLATE (9020N644)		X	X
20A	317379-901	CLOTH PLATE	X		
21	312773-454	BED COVER (TUBULAR)	X	X	X
22	354633-452	BED COVER (TUBULAR) SCREW	X	X	X
23	313052-451	BOTTOM COVER MOUNTING BOLT	X	X	X
24	313173-451	BOTTOM COVER MOUNTING BOLT RETAINING NUT	X	X	X
25	313909-451	BED LEG CUSHION	X	X	X
26	113455-002	BED COVER PLATE (BOTTOM) SCREW	X	X	X
27	314712-451	BOTTOM COVER MOUNTING BOLT WASHER	X	X	X
28	313177-452	BOTTOM COVER MOUNTING BOLT MOUNTING NUT	X	X	X
29A	312774-001	BED COVER PLATE (BOTTOM)	X	X	X
30A	314239-472	PATTERN SELECTOR KNOB AND STITCH BALANCE KNOB KIT ASSEMBLY	X	X	X
32	313535	PATTERN SELECTOR KNOB COMPRESSION RING	X	X	X
33A	314744-504	PATTERN SELECTOR KNOB TRIM PLATE		X	
33A	314744-526	PATTERN SELECTOR KNOB TRIM PLATE			X
33A	314744-527	PATTERN SELECTOR KNOB TRIM PLATE	X		
34A	137586-013	STITCH LENGTH CONTROL PANEL WITH GRAPHICS	X		
34A	317009-033	STITCH LENGTH CONTROL PANEL WITH GRAPHICS			X
34A	317009-037	STITCH LENGTH CONTROL PANEL WITH GRAPHICS		X	
35A	312657-468	REVERSE FEED CONTROL LEVER KNOB (PLASTIC)	X	X	X
36A	314676-468	BIGHT AMPLITUDE CONTROL LEVER KNOB (PLASTIC)	X	X	X
36B	312664-469	STITCH LENGTH CONTROL LEVER KNOB AND TENSION REGULATING KNOB (PLASTIC) AND NEEDLE POSITION CONTROL LEVER KNOB	X	X	X
37	313180	MACHINE HOLD DOWN MOUNTING KIT	X	X	X
38	148869	MACHINE LOCATOR PIN	X	X	X

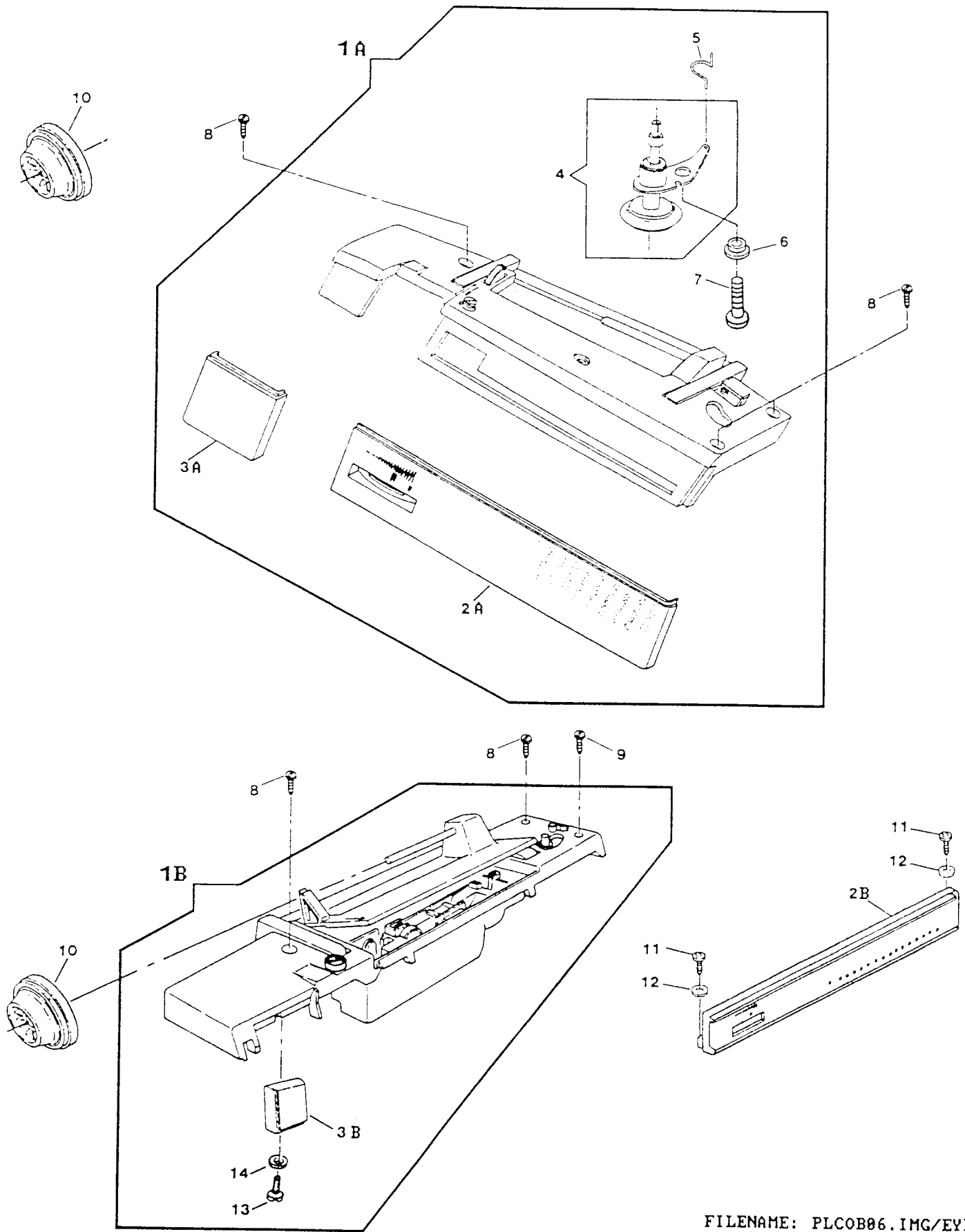
From the library of: Diamond Needle Corp

ARM TOP COVER
 MODEL: 9030 9033 9044 N503

REF. PART NO.	PART NO.	DESCRIPTION	9N	9N	9N
			05	05	05
			30	30	40
			03	43	43
1A	317027-030	ARM TOP COVER COMPLETE WITH HANDLE (FOR U.S.A.)		X	
1A	317027-034	ARM TOP COVER COMPLETE WITH HANDLE			X
1A	317122-118	ARM TOP COVER COMPLETE WITH HANDLE	X		
2A	314640-811	CONTROL PANEL COMPLETE WITH GRAPHICS	X		
2A	317197-910	CONTROL PANEL WITH GRAPHICS		X	
2A	317197-914	CONTROL PANEL COMPLETE WITH GRAPHICS			X
3A	314703-822	CONTROL PANEL EXTENSION WITH GRAPHICS	X		
3A	314703-823	CONTROL PANEL EXTENSION WITH GRAPHICS			X
3A	314703-827	CONTROL PANEL EXTENSION WITH GRAPHICS		X	
4	312901	BOBBIN WINDER ASSEMBLY	X		
4	314675	BOBBIN WINDER ASSEMBLY		X	X
5	312897	BOBBIN WINDER LEVER SPRING	X	X	X
6	312613	BOBBIN WINDER LEVER HING SCREW SHOULDER WASHER	X	X	X
7	314672	BOBBIN WINDER LEVER HINGE STUD		X	X
7	354927-004	BOBBIN WINDER LEVER HINGE SCREW	X		
8	354927-001	ARM TOP COVER MOUNTING SCREW	X	X	X
10	179967-461	SPOOL PIN THREAD LEAD-OFF	X	X	X

From the library of: Diamond Needle Corp

ARM TOP COVER



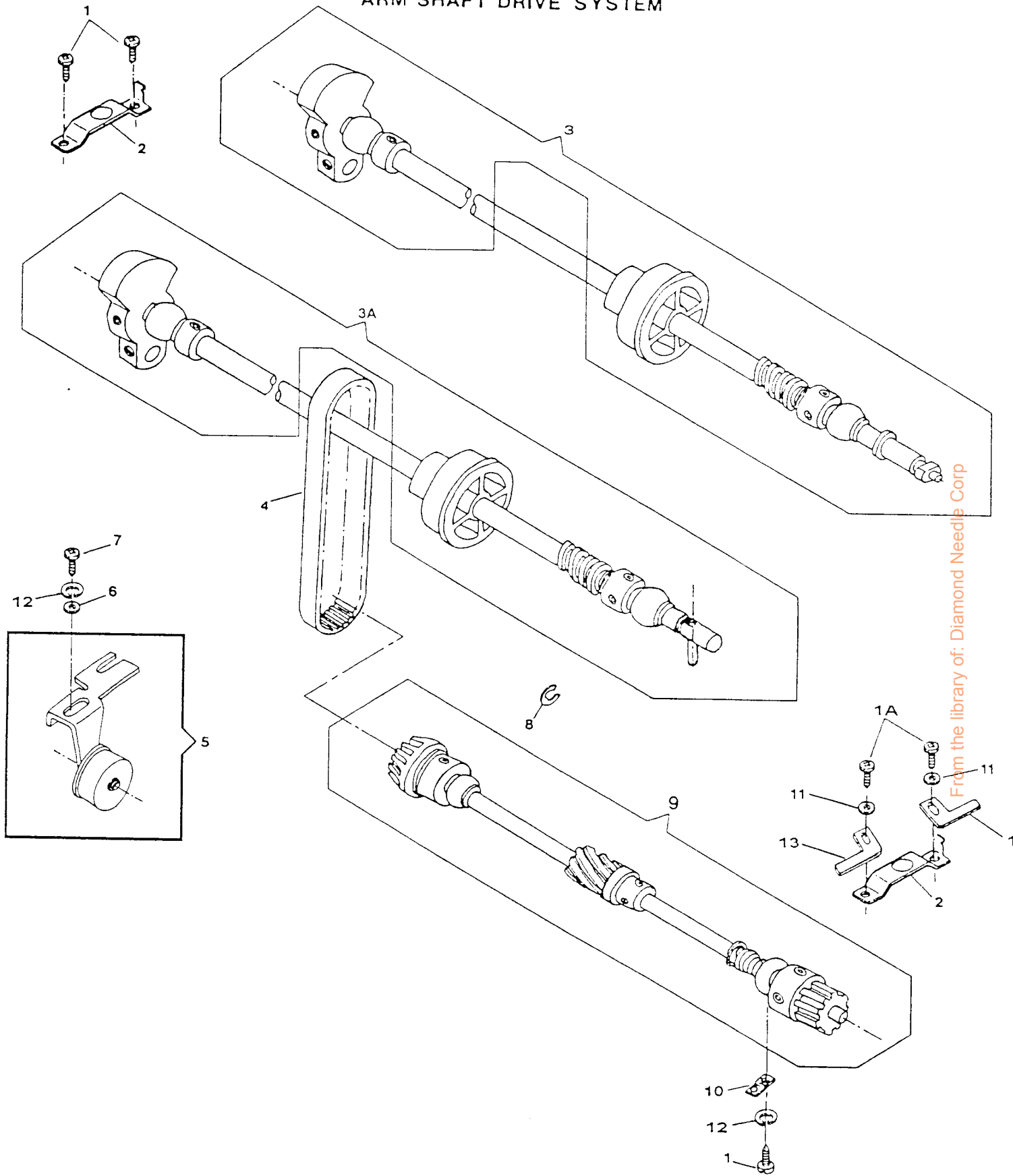
From the library of: Diamond Needle Corp

ARM SHAFT DRIVE SYSTEM
 MODEL: 9030 9033 9044 N503

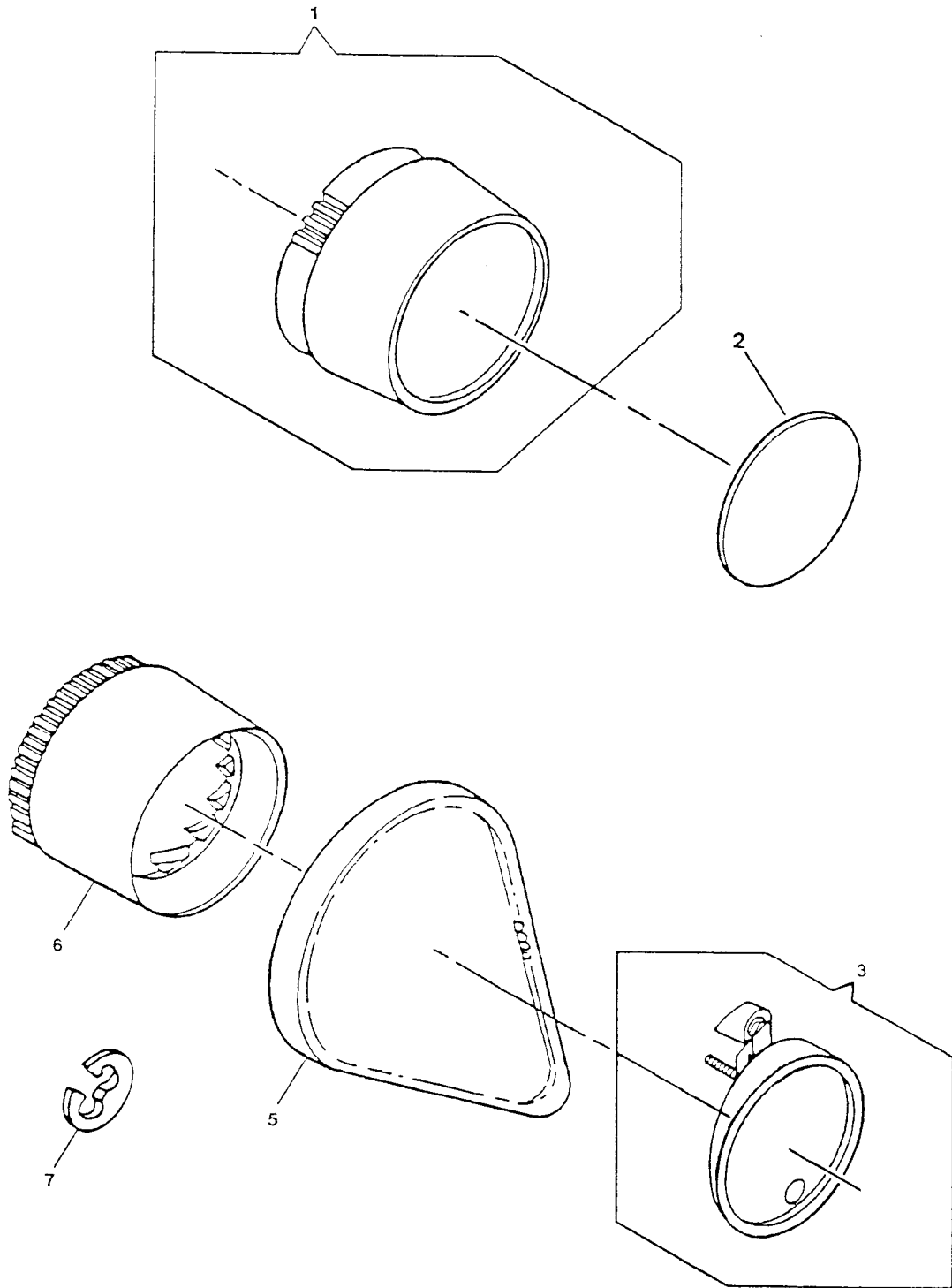
REF. PART NO.	PART NO.	DESCRIPTION	9N	9N	9N
			05	05	05
			30	30	40
			03	43	43
1	113455-002	ARM SHAFT (HORIZONTAL) BUSHING (LEFT) CLAMP SCREW	X	X	X
1A	113455-004	ARM SHAFT (HORIZONTAL) BUSHING (RIGHT) CLAMP SCREW	X	X	X
2	312796	ARM SHAFT (HORIZONTAL) BUSHING (LEFG & RIGHT) CLAMP	X	X	X
3B	286580-001	ARM SHAFT ASSEMBLY (APOLLO)	X	X	X
4	603975-011	BELT (ROTATING HOOK DRIVE) ALT: 603975-012	X	X	X
5	313195	IDLER BRACKET ASSEMBLY	X	X	X
6	314041-451	ROTATING HOOK DRIVING BELT TENSION ADJUSTER SCREW WASHER	X	X	X
7	113455-002	ROTATING HOOK DRIVING BELT TENSION ADJUSTER SCREW	X	X	X
8	313153	HAND WHEEL RETAINING RING	X	X	X
9	370560	ROTATING HOOK DRIVE SHAFT SUB-ASSEMBLY	X	X	X
10	313816	ROTATING HOOK DRIVE SHAFT BUSHING (SELF-ALIGNING) CLAMP	X	X	X
11	316164	WASHER, ROTATING HOOK DRIVE SHAFT BUSHING (SELF-ALIGNING) CLAMP SCREW	X	X	X
12	314013-451	LOCK WASHER, ROTATING HOOK DRIVING BELT TENSION ADJUSTER SCREW	X	X	X
13	137873	MOTOR BELT STOP PLATE	X	X	X

From the library of: Diamond Needle Corp

ARM SHAFT DRIVE SYSTEM



From the library of: Diamond Needle Corp



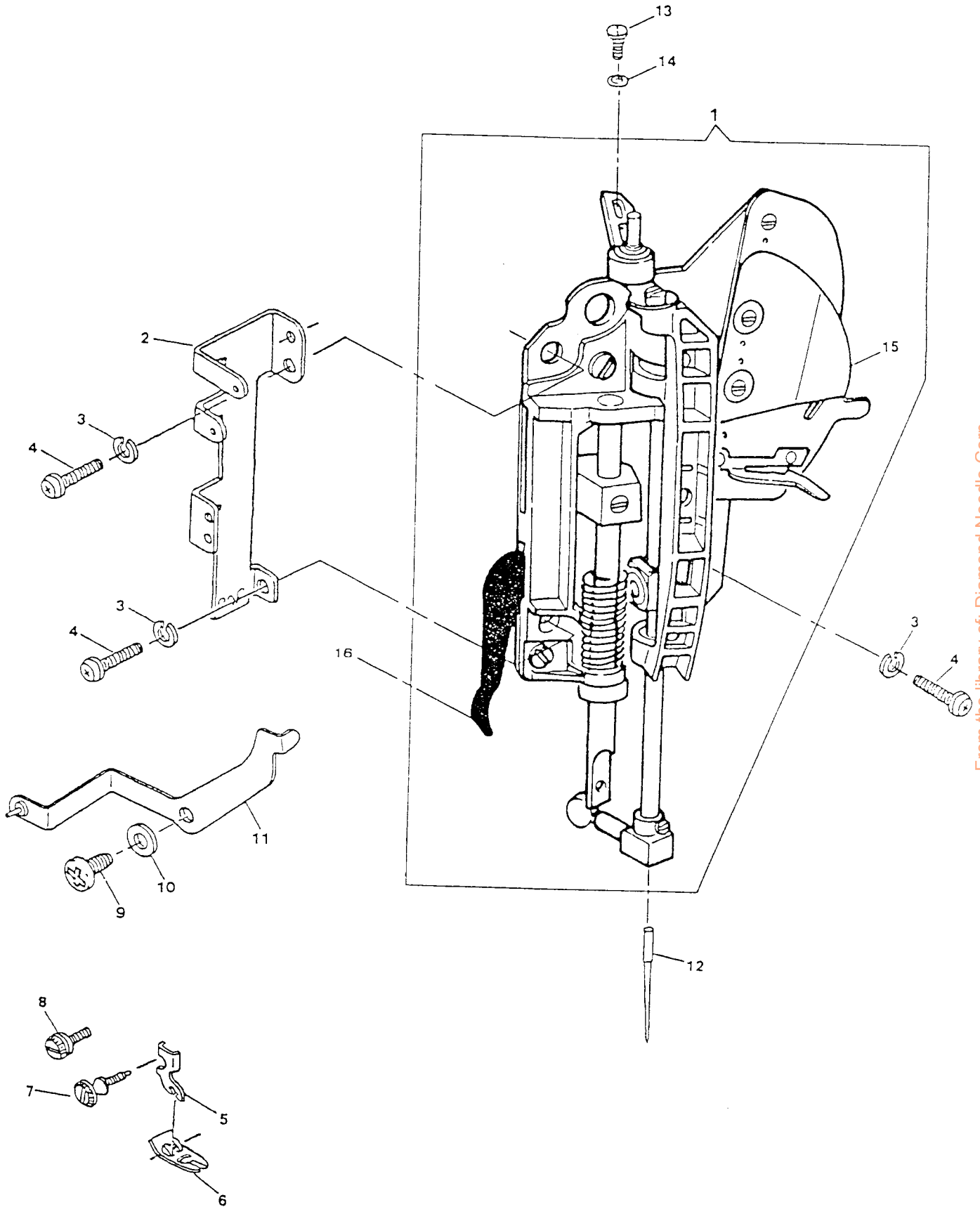
From the library of: Diamond Needle Corp

HAND WHEEL
 MODEL: 9030 9033 9044 N503

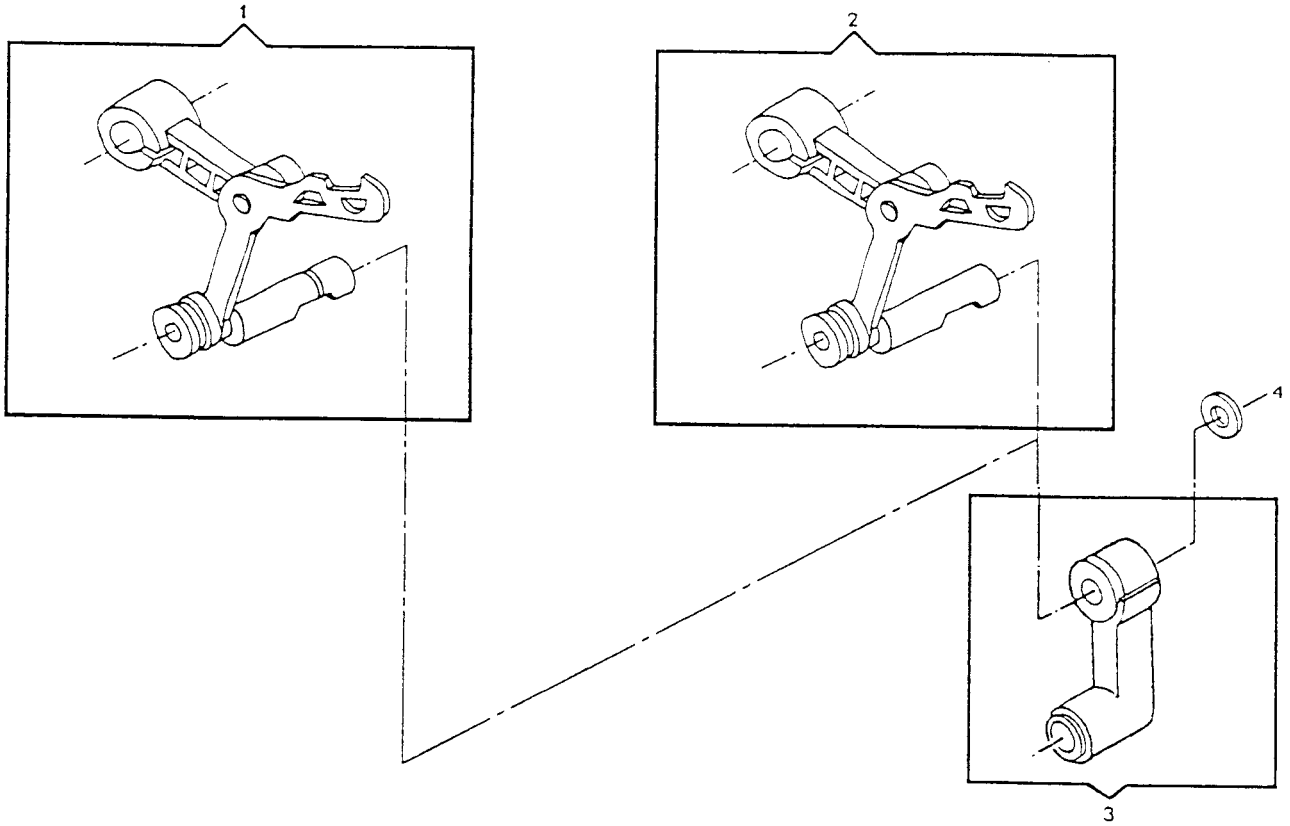
REF. PART NO.	PART NO.	DESCRIPTION	9N	9N	9N
			05	05	05
			30	30	40
			03	43	43
3	316070-001	HAND WHEEL CLUTCH PLATE ASSEMBLY	X	X	X
5	312628-001	BELT (MOTOR DRIVE) ALT: 979285-001	X	X	X
6	137892-451	HAND WHEEL	X	X	X
7	313153	HAND WHEEL RETAINING RING	X	X	X

COAXIAL PRESSER BAR SYSTEM
MODEL: 9030 9033 9044 N503

REF. PART NO. NO.	DESCRIPTION	9N	9N	9N
		05	05	05
		30	30	40
		03	43	43
1 314695-002	HEAD END MODULE (APOLLO)	X	X	X
2 314591	FACE PLATE MOUNTING BRACKET	X	X	X
3 313955-451	HEAD END MOUNTING PLATE LOCK WASHER	X	X	X
4 113455-012	HEAD END MOUNTING PLATE SCREW	X	X	X
5 163706-451	PRESSER FOOT SHANK (SNAP-ON)	X	X	X
6 313150	PRESSER FOOT PLATE (SNAP-ON) FOR ZIG-ZAG SEWING	X	X	X
7 113531-451	PRESSER FOOT THUMB SCREW	X	X	X
9 113455-001	NEEDLE THREAD TENSION RELEASE LEVER HINGE SCREW	X	X	X
10 314041-451	NEEDLE THREAD TENSION RELEASE LEVER RETAINING WASHER	X	X	X
11 314589	NEEDLE THREAD TENSION RELEASE LEVER ASSEMBLY		X	X
11 317401	NEEDLE THREAD TENSION RELEASE LEVER ASSEMBLY	X		
12 N2020-014	NEEDLE (SIZE NO.14)	X	X	X
13 113408-001	NEEDLE BAR DRIVING ARM BALL JOINT SCREW	X	X	X
14 931929-004	NEEDLE BAR DRIVING ARM BALL JOINT SCREW WASHER	X	X	X
15 314690	THREAD PINCH PLATE	X	X	X
16 314582	PRESSER BAR LIFTER	X	X	X



From the library of: Diamond Needle Corp



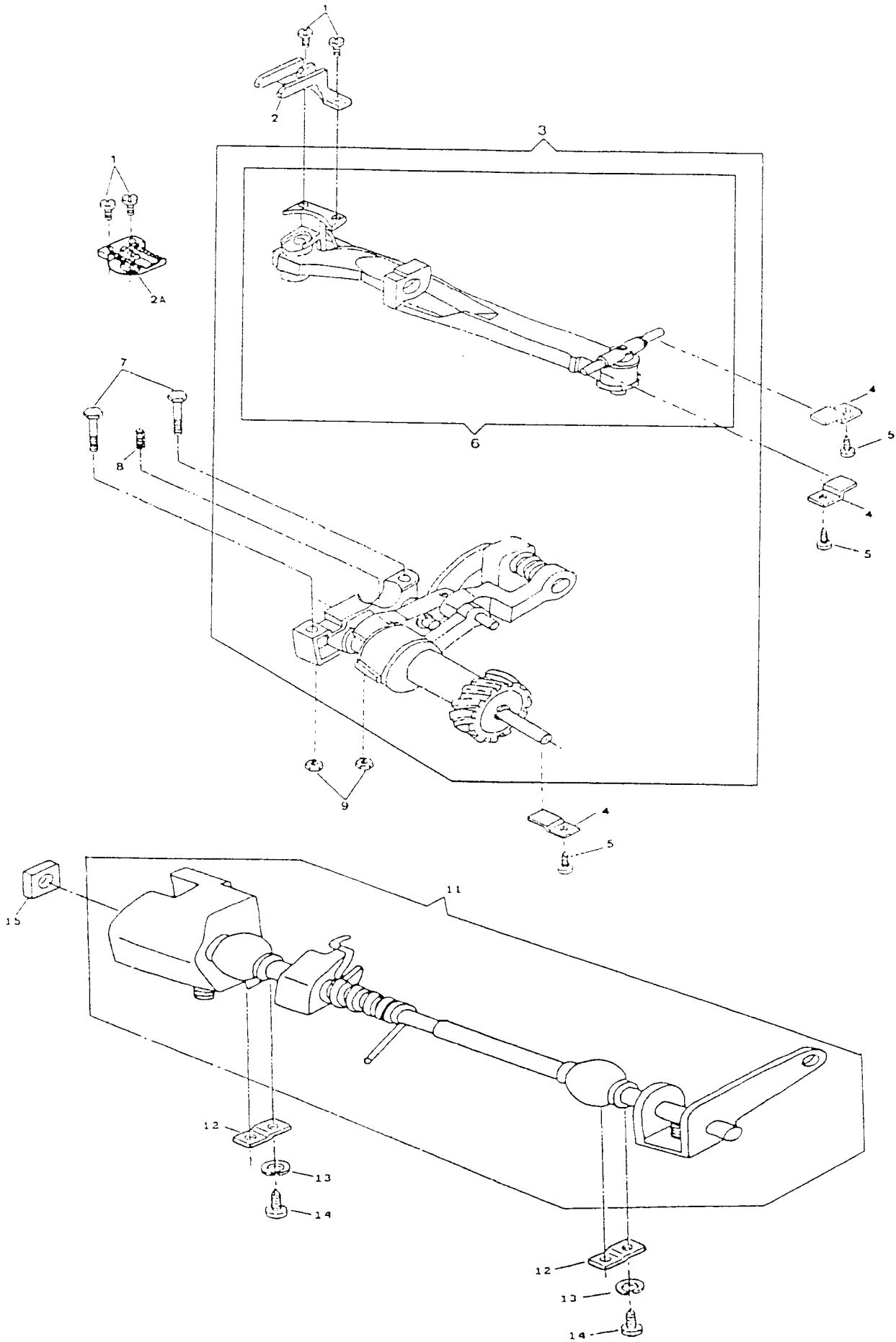
NEEDLE BAR AND THREAD TAKE-UP
MODEL: 9030 9034 9044 (N503)

REF. PART NO.	PART NO.	DESCRIPTION	9N	9N	9N
			05	05	05
			30	30	40
			03	43	43
1	314694	THREAD TAKE-UP COMPLETE (APOLLO)	X	X	X
3	137528-901	NEEDLE BAR CONNECTING LINK	X	X	X
4	314071	WASHER, THREAD TAKE-UP LEVER	X	X	X

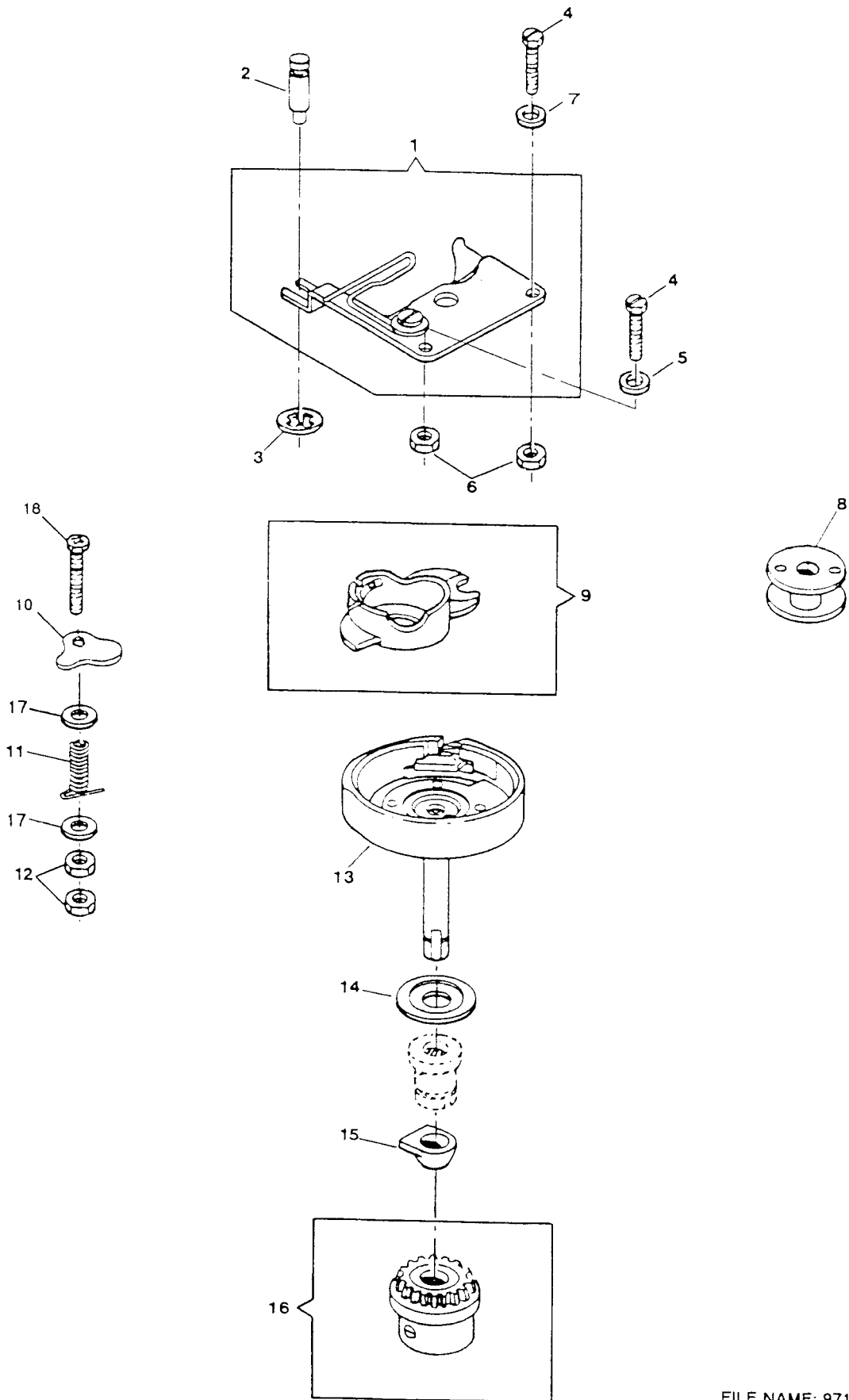
ALPHA FEED
 MODEL: 9030 9034 9044 (N503)

REF. PART NO.	PART NO.	DESCRIPTION	9N	9N	9N
			05	05	05
			30	30	40
			03	43	43
1	141920-452	FEED DOG SCREW	X	X	X
2A	312679	FEED DOG (APOLLO)	X	X	X
3	313011	ALPHA FEED MODULE	X	X	X
4	312851	FEED BAR PIVOT HING STUD CLAMP	X	X	X
5	113455-003	CLAMP SCREW	X	X	X
6	314141	FEED BAR ASSEMBLY	X	X	X
7	354921-451	FEED & ROTATING HOOK DRIVE SHAFT BEARING BLOCK SCREW	X	X	X
8	314070	ROTATING HOOK DRIVE SHAFT BUSHING SPING	X	X	X
9	514674-451	FEED & ROTATING HOOK DRIVE SHAFT BEARING BLOCK MOUNTING SCREW NUT	X	X	X
11	313133	FEED REGULATOR SHAFT ASSEMBLY	X	X	X
12	313816	FEED REGULATOR SHAFT BUSHING (SELF-ALIGNING) CLAMP	X	X	X
13	314013-451	FEED REGULATOR SHAFT BUSHING (SELF-ALIGNING) CLAMP SCREW LOCK WASHER	X	X	X
14	113455-001	FEED REGULATOR SHAFT BUSHING (SELF-ALIGNING) CLAMP SCREW	X	X	X
15	511030	FEED REGULATOR SLIDE BLOCK	X	X	X

ALPHA FEED



From the library of: Diamond Needle Corp



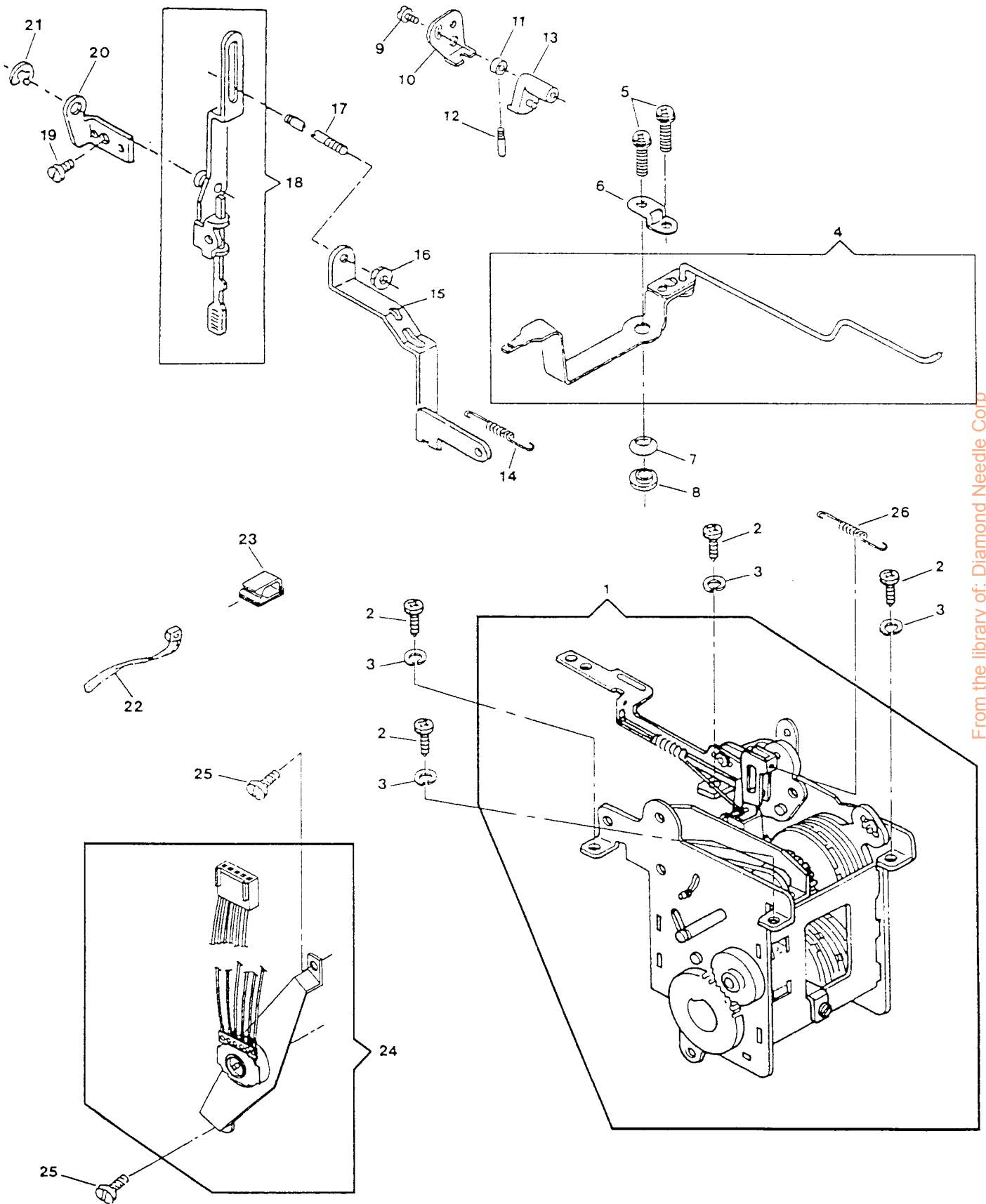
From the library of: Diamond Needle Corp

HOOK SYSTEM (APOLLO)
 MODEL: 9030 9034 9044 (N503)

REF. NO.	PART NO.	DESCRIPTION	9N	9N	9N
			05	05	05
			30	30	40
			03	43	43
1	313089	ROTATING HOOK BOBBIN CASE POSITION PLATE ASSEMBLY	X	X	X
2	312603	ROTATING HOOK BOBBIN CASE POSITION PLATE HOLD DOWN STUD	X	X	X
3	313161	ROTATING HOOK BOBBIN CASE POSITION PLATE HOLD DOWN STUD RETAINER	X	X	X
4	113439-451	ROTATING HOOK BOBBIN CASE POSITION PLATE SCREW	X	X	X
5	313190-451	ROTATING HOOK BOBBIN CASE POSITION PLATE SCREW WASHER	X	X	X
6	313945-451	ROTATING HOOK BOBBIN CASE POSITION PLATE SCREW NUT	X	X	X
7	446138	ROTATING HOOK BOBBIN CASE POSITION PLATE SCREW WASHER (RIGHT)	X	X	X
8	172336-001	ROTATING HOOK BOBBIN (PLASTIC)	X	X	X
9	421325	ROTATING HOOK BOBBIN CASE COMPLETE	X	X	X
10	313395-900	ROTATING HOOK BOBBIN CASE RETAINING PLATE SUB-ASSEMBLY	X	X	X
11	44892	ROTATING HOOK BOBBIN CASE RETAINING PLATE STUD SPRING	X	X	X
12	514674-451	ROTATING HOOK BOBBIN CASE RETAINING PLATE STUD RETAINING RING	X	X	X
13	447926-932	ROTATING HOOK COMPLETE	X	X	X
14	314049-001	ROTATING HOOK FLANGED BUSHING THRUST WASHER	X	X	X
15	312847	ROTATING HOOK FLANGED BUSHING WASHER	X	X	X
16	314012	ROTATING HOOK BEVEL GEAR COMPLETE	X	X	X
17	931929-004	WASHER, BOBBIN CASE RETAINING	X	X	X
18	137315-453	ROTATING HOOK BOBBIN CASE RETAINING PLATE SCREW	X	X	X

From the library of Orion and NASA

PATTERN STITCH LENGTH CONTROL AND CAM CONTROLLED FEED



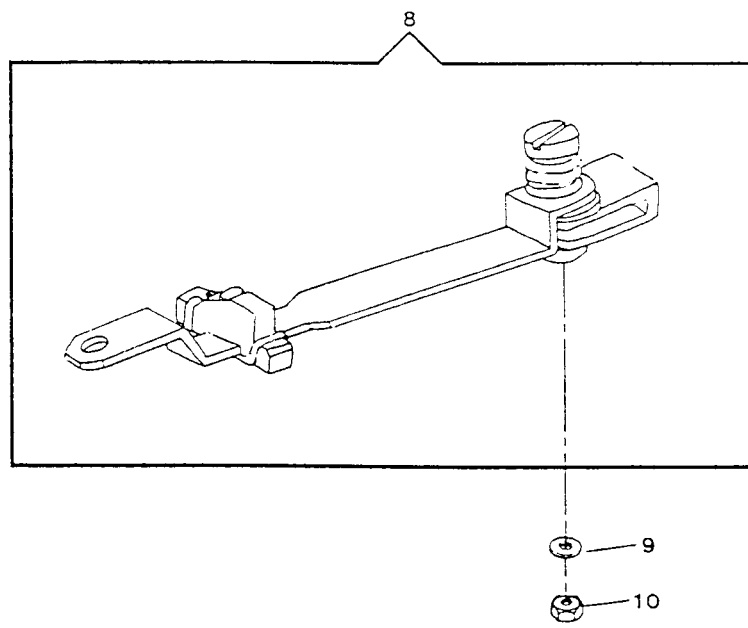
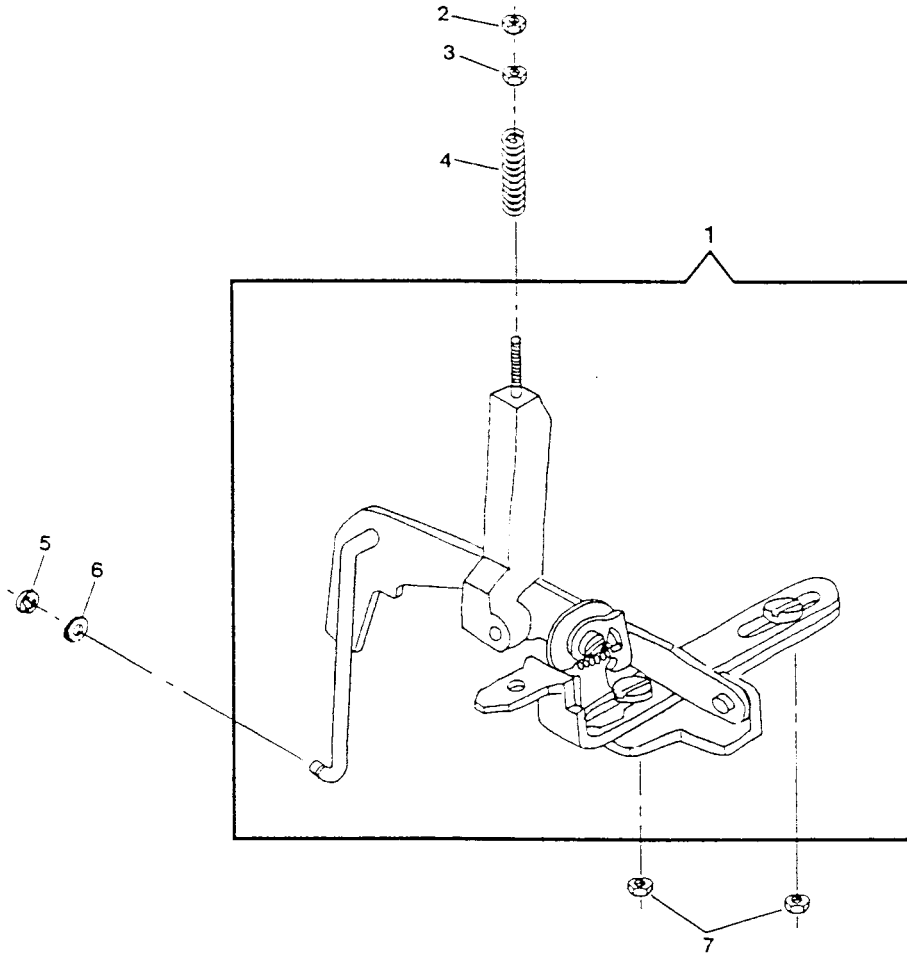
From the library of: Diamond Needle Corp

PATTERN, STITCH LENGTH CONTROL & CAM CONTROLLED FEED
 MODEL: 9030 9034 9044 (N503)

REF. NO.	PART NO.	DESCRIPTION	9N 05 30 03	9N 05 30 43	9N 05 40 43
1	314601-001	PATTERN SELECTOR MODULE	X		
1	314732-003	PATTERN SELECTOR MODULE		X	X
2	113455-001	DISCSELECTOR MECHANISM MOUNTING PLATE SCREW (LEFT AND RIGHT)	X	X	X
3	314013-451	DISC SELECTOR MECHANISM MOUNTING PLATE SCREW (LEFT AND RIGHT)	X	X	X
4	314607-003	BIGHT AMPLITUDE CONTROL LEVER ASSEMBLY	X	X	X
5	113455-001	BIGHT AMPLITUDE CONTROL LEVER STOP ADJUSTMENT SCREW	X	X	X
6	314683	BIGHT AMPLITUDE CONTROL LEVER RETAINER	X	X	X
7	353457	BIGHT AMPLITUDE CONTROL LEVER FRICTION WASHER	X	X	X
8	314611	BIGHT AMPLITUDE CONTROL LEVER SHOULDER WASHER	X	X	X
9	544211-010	BUTTONHOLE ACTUATOR CAM ADJUSTING BRACKET SCREW		X	X
10	313073	BUTTONHOLE ACTUATOR CAM ADJUSTING BRACKET		X	X
11	313022	BUTTONHOLE FOLLOWER HUB RELEASE		X	X
12	313023	BUTTONHOLE FOLLOWER HUB RELEASE PIN		X	X
13	313025	BUTTONHOLE ACTUATOR CAM		X	X
14	313799-001	BUTTONHOLE ACTUATOR ADJUSTING ROD SPRING		X	X
15	313005	BUTTONHOLE DISC CONTROL CATCH RELEASE LINK		X	X
16	314763-451	BUTTONHOLE TRIPPING ROD ADJUSTING & LOCKING NUT		X	X
17	312982	BUTTONHOLE TRIPPING LEVER ROD		X	X
18	312994-002	BUTTONHOLE KICK-OUT TRIPPING ROD LEVER ASSEMBLY		X	X
19	354877-451	BUTTONHOLE PIVOT LEVER SCREW		X	X
20	313392	BUTTONHOLE LEVER PIVOT		X	X
21	312685	BUTTONHOLE KICK-OUT SHAFT TRIPPING LEVER RETAINING RING		X	X
22	314497	NEEDLE BAR DRIVING ARM SLIDE POSITIONING SPRING		X	X
26	314497	NEEDLE BAR DRIVING ARM SLIDE POSITIONING SPRING	X		

From the library of: Diamond Needle Corp

PATTERN STITCH LENGTH CONTROL AND CAM CONTROLLED FEED (CONT.)



From the library of: Diamond Needle Corp

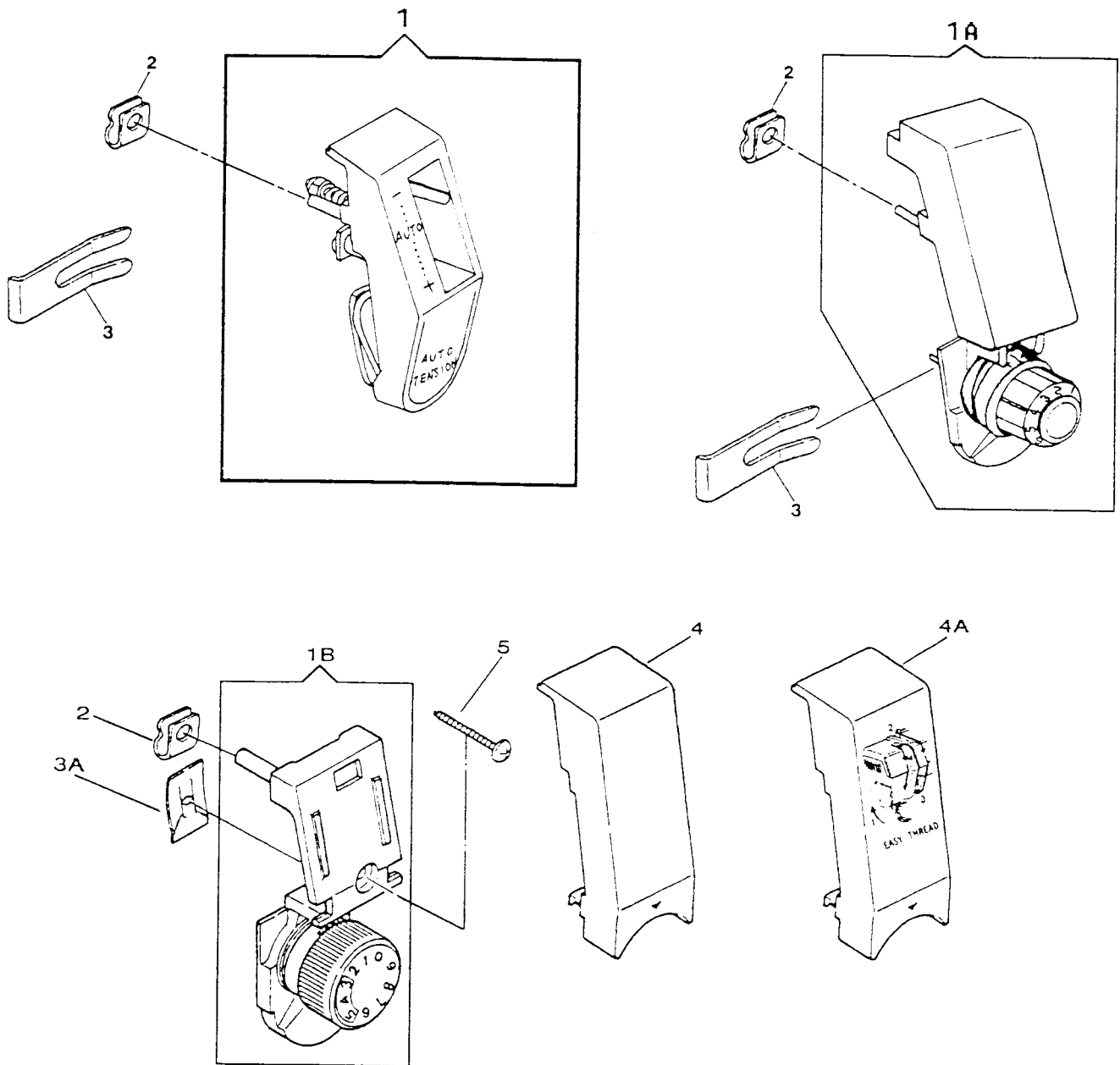
PATTERN, STITCH LENGTH CONTROL & CAM CONTROLLED FEED (CONT.)
 MODEL: 9030 9034 9044 (N503)

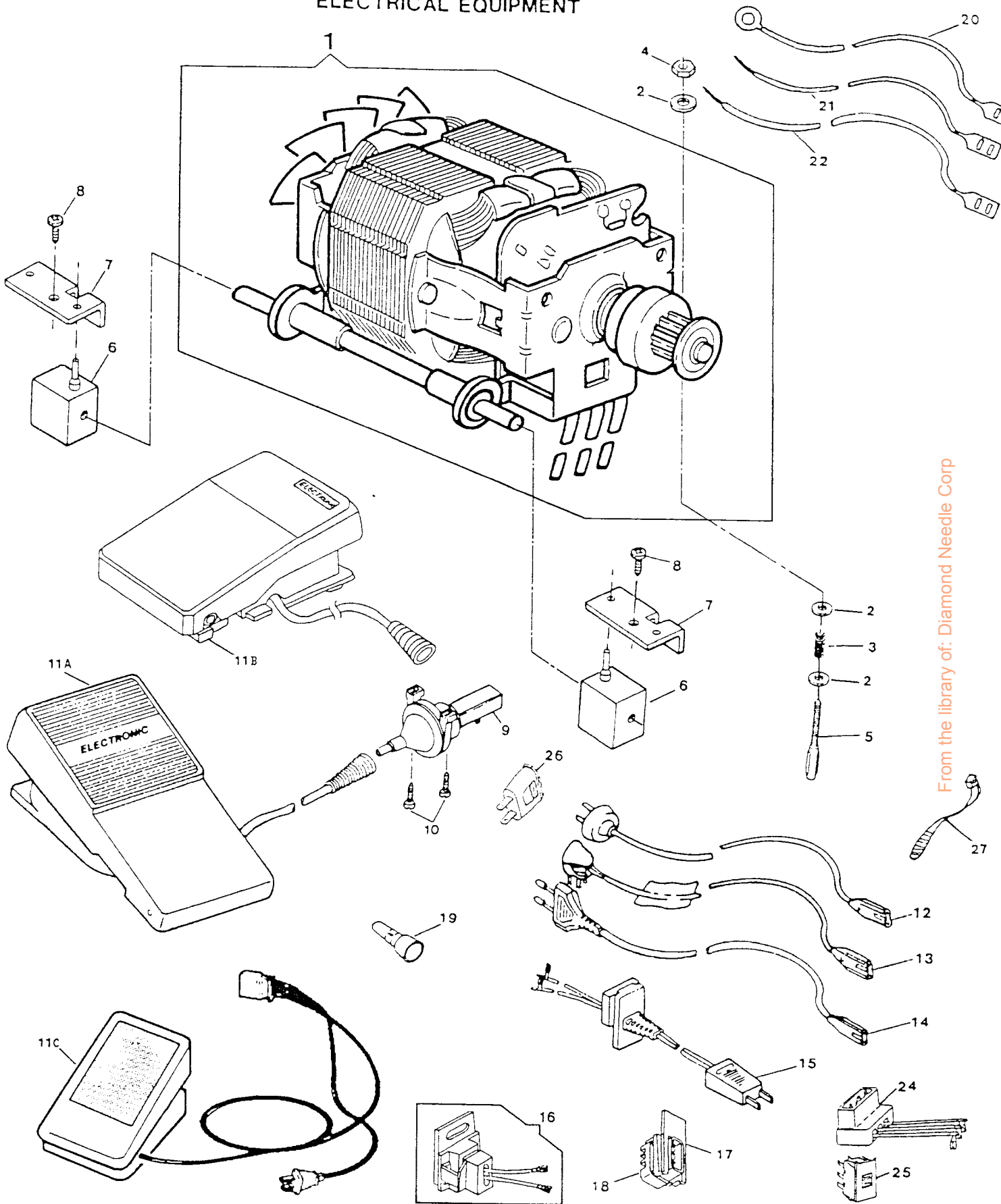
REF. PART NO.	PART NO.	DESCRIPTION	9N	9N	9N
			05	05	05
			30	30	40
			03	43	43
1	314300-001	FEED REVERSE MECHANISM	X	X	X
2	514674-451	CAM CONTROLLED FEED CONNECTING ROD LOCKING NUT	X	X	X
3	312645-451	CAM CONTROLLED FEED DISC FOLLOWER ACTUATOR CONNECTING ROD ADJUSTING	X	X	X
4	313143	CAM CONTROLLED FEED DISC FOLLOWER ACTUATOR CONNECTING ROD SPRING	X	X	X
5	312702	FEED LEVER CONNECTING LINK RETAINING RING	X	X	X
6	313891	CAM CONTROLLED FEED CONNECTING ROD STABILIZING WASHER	X	X	X
7	514674-451	REVERSE FEED CONTROL LEVER GUIDE SCREW NUT	X	X	X
8	313569-001	STITCH LENGTH CONTROL LEVER ASSEMBLY	X	X	X
9	314712-451	STITCH LENGTH CONTROL LEVER PIVOT LOCK WASHER	X	X	X
10	313177-451	STITCH LENGTH CONTROL LEVER NUT	X	X	X

From the library of: Diamond Needle Corp

DEMAND RESPONSIVE NEEDLE TENSION SYSTEM
 MODEL: 9030 9034 9044 (N503)

REF. PART NO.	PART NO.	DESCRIPTION	9N	9N	9N
			05	05	05
			30	30	40
			03	43	43
1	137886-011	THREAD TENSION MODULE		X	X
1B	137574-001	THREAD TENSION MODULE	X		
2	313199	TENSION COVER MOUNTING RETAINER		X	X
3	313047-451	TENSION COVER RETAINING CLIP		X	X
3A	137584	TENSION COVER RETAINING CLIP	X		
4A	137698-001	TENSION COVER ASSY (FRONT) WITH THREADING INSTRUCTION LABEL	X		
5	137588-451	TAPPING SCREW	X		





From the library of: Diamond Needle Corp

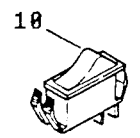
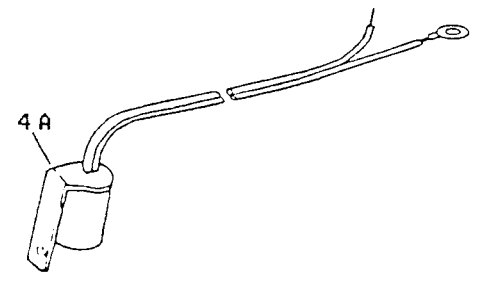
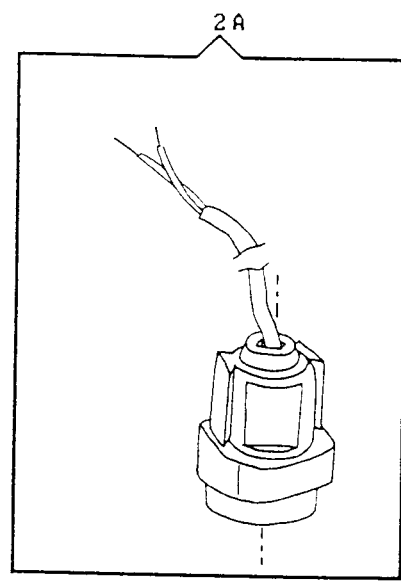
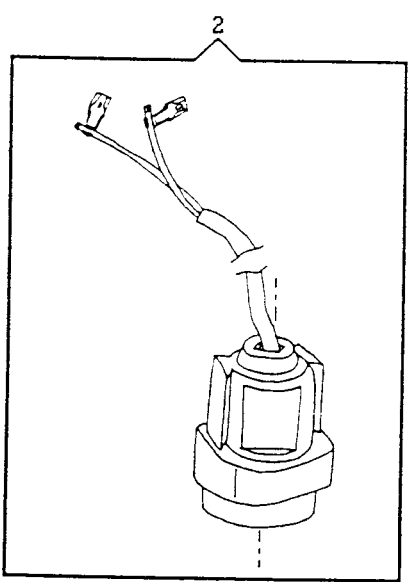
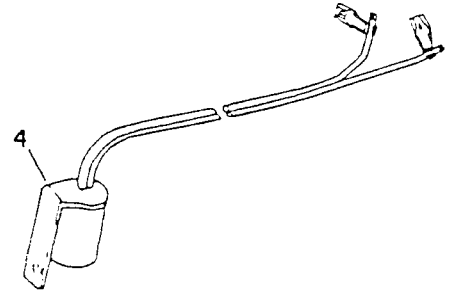
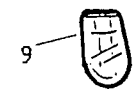
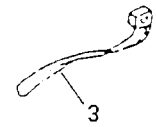
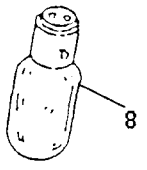
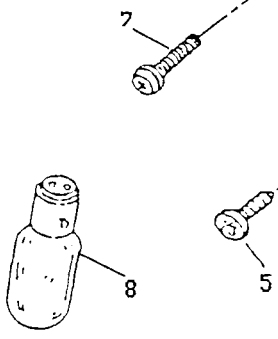
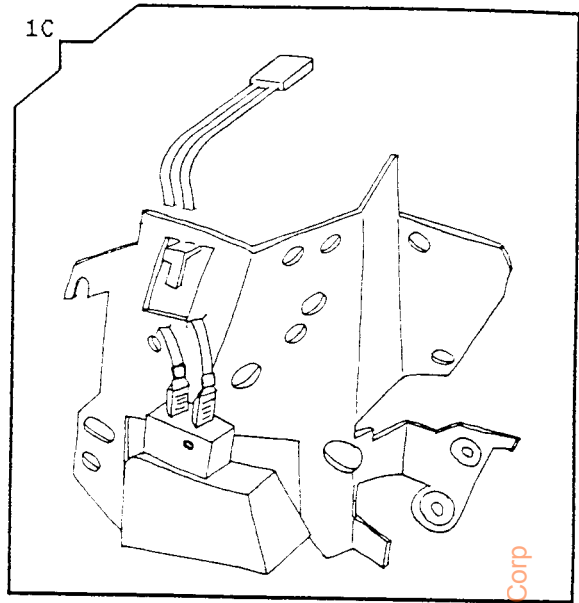
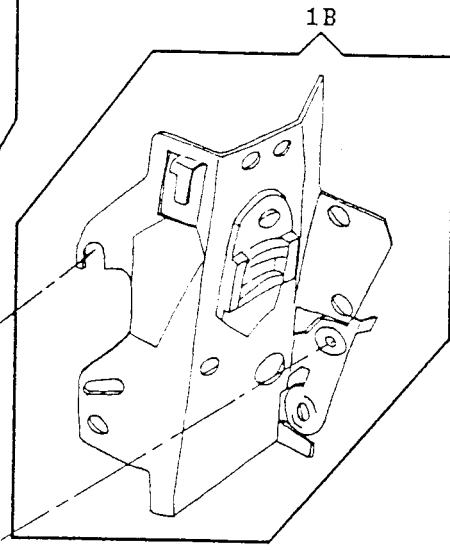
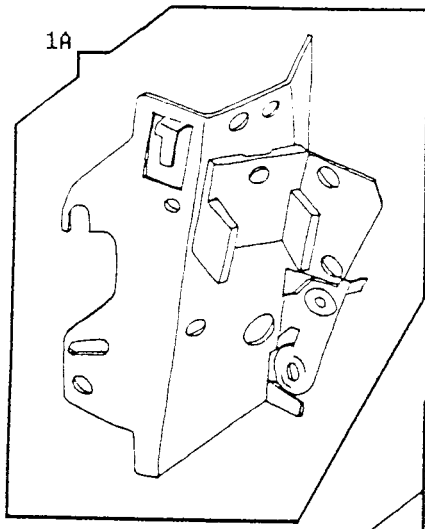
ELECTRICAL EQUIPMENT
MODEL: 9030 9034 9044 (N503)

REF. NO.	PART NO.	DESCRIPTION	9N	9N	9N
			05	05	05
			30	30	40
			03	43	43
1	317352	MOTOR COMPLETE (120V CARBON PILE)	X	X	X
2	37969	MOTOR ADJUSTING STUD NUT WASHER	X	X	X
3	314058-001	MOTOR BELT TENSION SPRING	X	X	X
4	53646	MOTOR ADJUSTING STUD NUT	X	X	X
5	988653-001	MOTOR ADJUSTING STUD	X	X	X
6	979329-001	RESILIENT MOUNT	X	X	X
7	988651-001	CLIP	X	X	X
8	113470-004	MOTOR MOUNTING SCREW	X	X	X
11C	319003-003	TRIAC FOOT CONTROLLER ASSEMBLY	X	X	X
17	317374-901	HOLDER (120V)	X	X	X
18	317421	RECEPTACLE (120V)	X	X	X
19	317355	WIRE CONNECTOR	X	X	X
20	317356-001	LEAD (A) W/TERMINAL ASSEMBLY (120V)	X	X	X
21	317356-002	LEAD (B) W/TERMINAL ASSEMBLY (120V)	X	X	X

ELECTRICAL EQUIPMENT (CONT.)
 MODEL: 9030 9034 9044 (N503)

REF. PART NO.	PART NO.	DESCRIPTION	9N	9N	9N
			05	05	05
			30	30	40
			03	43	43
1B	314823-003	LINT AND HEAD SHIELD ASSEMBLY (120V)	X	X	X
3	540899	TY-WRAP SELF-LOCKING	X	X	X
4A	317397-902	LAMP SOCKET ASSEMBLY (120V, DOUBLE INSULATION)	X	X	X
5	113470-003	THREAD TAKE-UP COVER AND LINT/HEAT SHIELD SCREW	X	X	X
7	137813-002	SCREW, LINT AND HEAT SHIELD MOUNTING	X	X	X
8	194120-019	LIGHT BULB (120V) (ALT:542656-005) (DUAL VOLTAGE FOR U.S.A/KOREA/GERMANY & H.K.)	X	X	X
10	979585-207	ROCKER SWITCH (#3913)	X	X	X

From the library of: Diamond Needle Corp



From the library of: Diamond Needle Corp